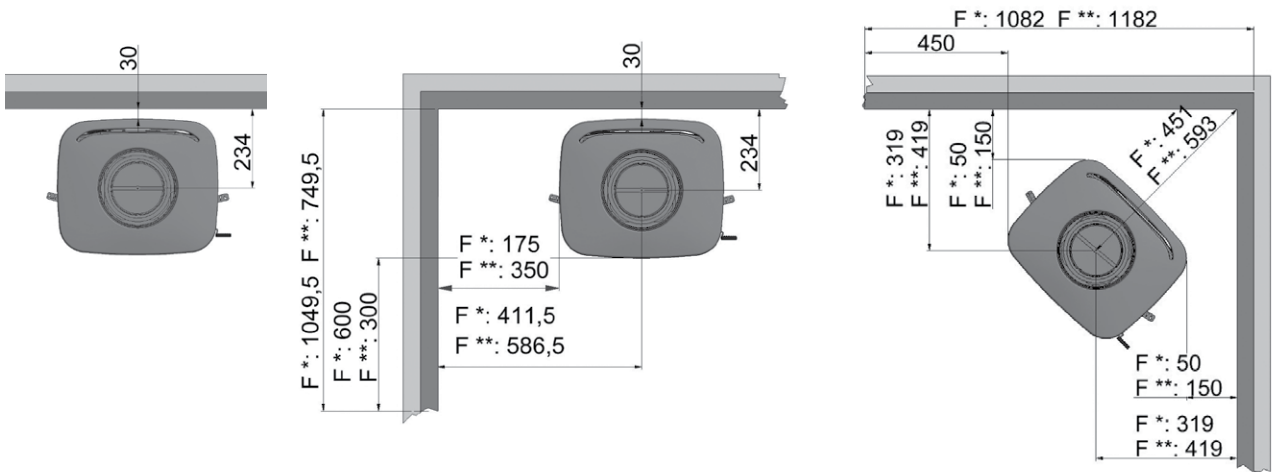
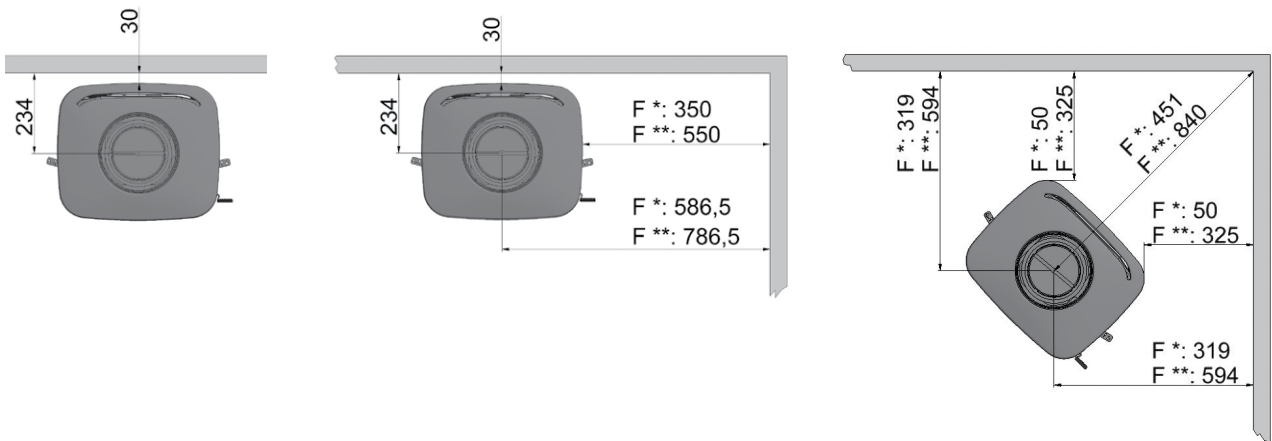


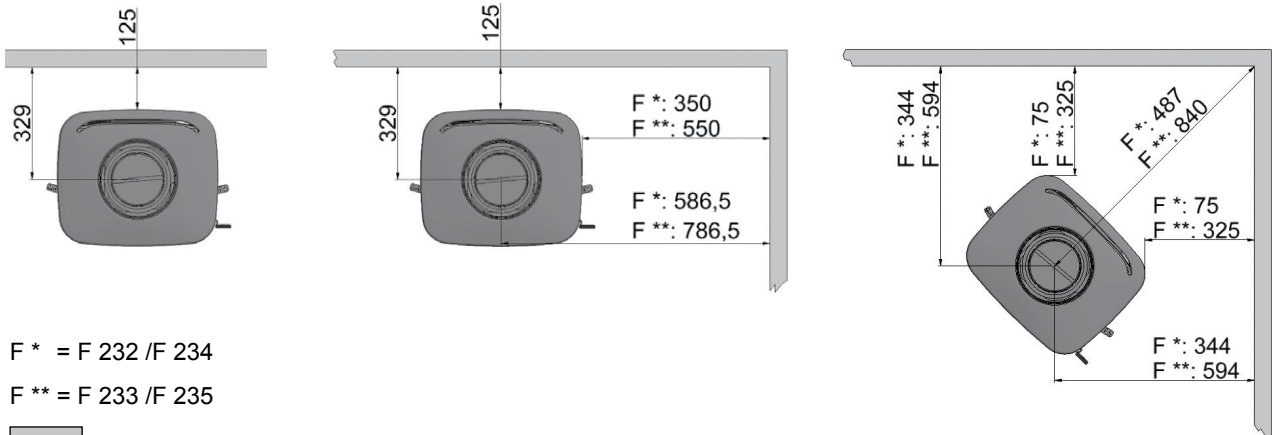
Min. distance to firewall with insulated flue pipe + décor ring



Min. distance to combustible wall with insulated flue pipe + décor ring



Min. distance to combustible wall without insulated flue pipe



$F^* = F 232 / F 234$

$F^{**} = F 233 / F 235$

- Combustible wall
- Firewall Fx. 50 mm. Jøtul Firewall