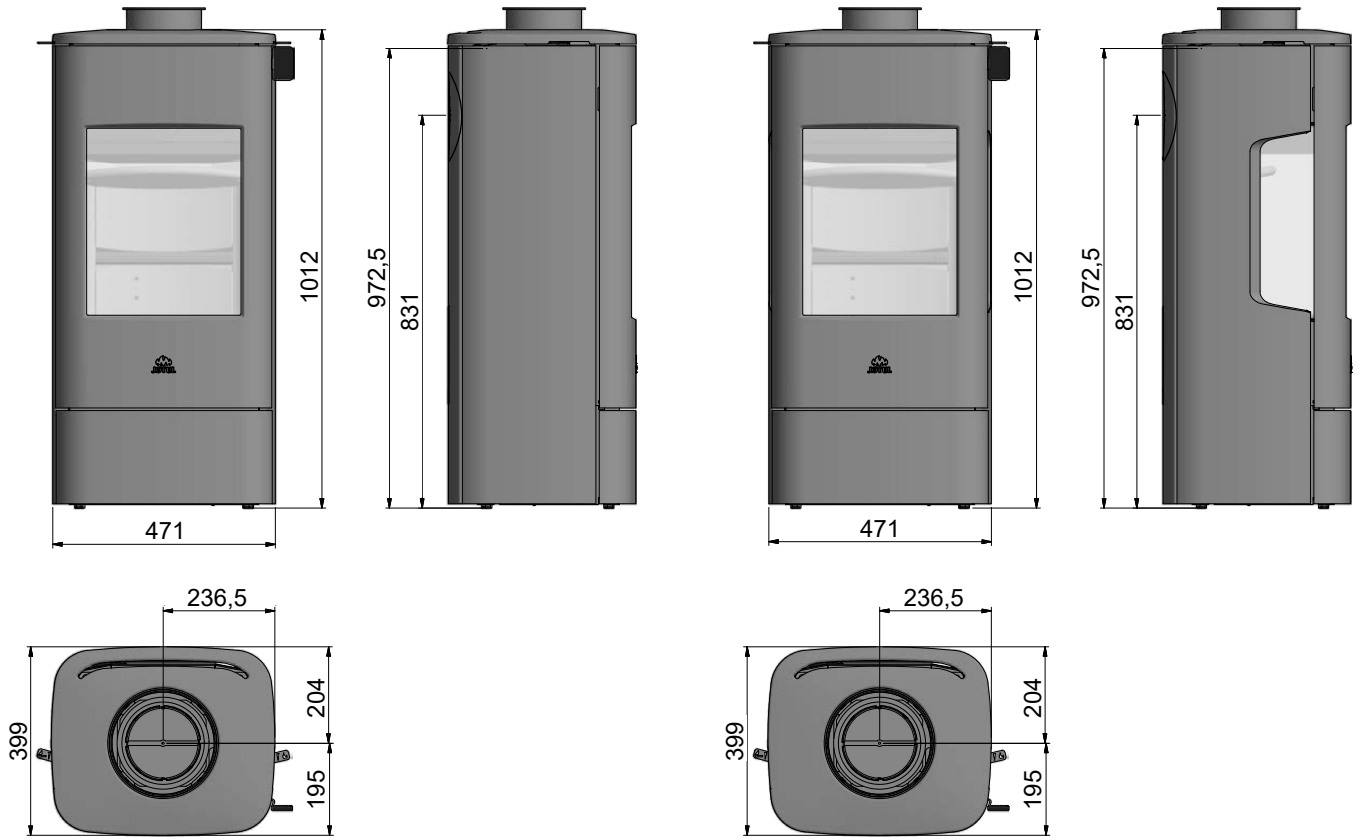
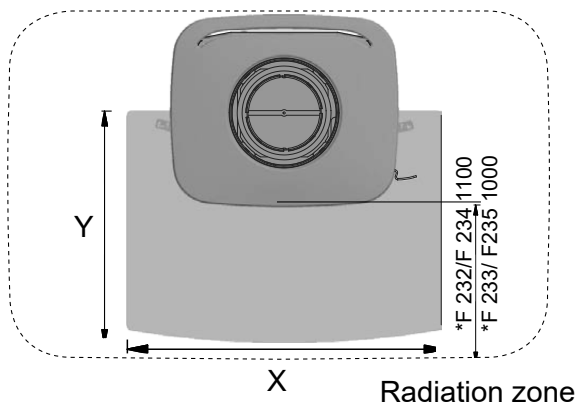


Jøtul F 232

Jøtul F 233



Floorplate



Min. measurement floorplate

X/Y acc. to national standards

* Min. distance to furniture / combustible material

Fig. 1a